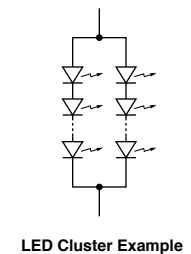
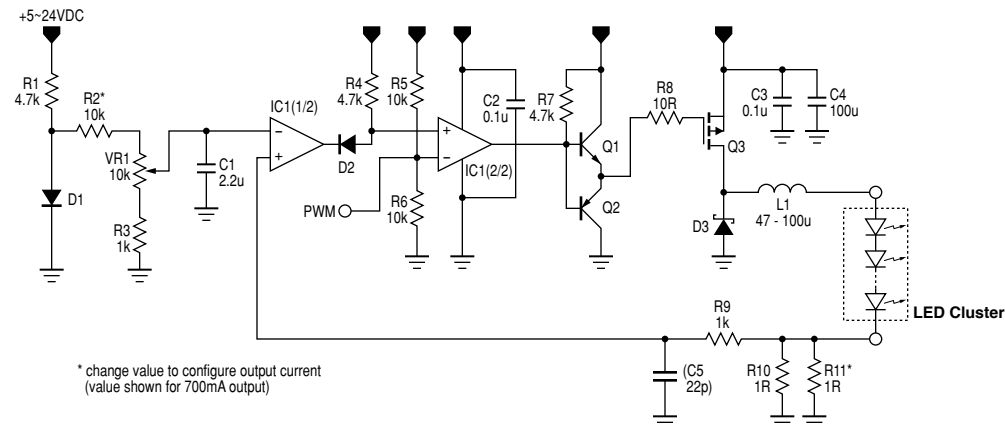


Parts placement on PCB



**BOM**

- |                                 |                                |                             |
|---------------------------------|--------------------------------|-----------------------------|
| 1 or 2x 1 ohm 1W - R10, R11     | 1x 10k ohm Potentiometer - VR1 | 1x GPN (5551) - Q1          |
| 1x 10 ohm - R8                  | 1x 22pF - C5 (optional)        | 1x GPP (5401) - Q2          |
| 2x 1k ohm - R3, R9              | 2x 0.1uF - C2, C3 (optional)   | 1x NTD2955 or IRFU9024 - Q3 |
| (1x 2.7k ohm - R2 *alt. config) | 1x 2.2uF - C1                  | 2x 1N4148 - D1, D2          |
| 3x 4.7k ohm - R1, R4, R7        | 1x 100uF / 35V - C4            | 1x SB140 - D3               |
| 3x 10k ohm - R2, R5, R6         | 1x 47-100uH / 1.2A - L1        | 1x LM393 - IC1              |

Title <b>Poorman's Buck LED Driver</b>		
Date 5/18/2012	Rev. 2a	Sheet 1 of 1
Designed by Akimitsu Sadoi		